

The robust mill for wet grinding

WET HAMMER MILL NDK

The wet hammer mill NDK is specially designed for wet grinding of grain, field crops such as potatoes or beet. Large quantities of liquids can be added via water injection nozzles at the inlet.

Areas of application are, for example, the production of alcohol or ethanol. After grinding, the final product is pumpable.



Your Advantages

Efficient Wet Grinding

- Optimised impact zone with hardened impact plates on both sides of the inlet
- Universal use from fine to coarse grinding possible
- Injection nozzles for liquid addition in the inlet area
- Suitable for the use of all common screen perforations
- Variable grist spectrum by adjusting the beater circumferential speed (when using a frequency converter), the screen perforation and the beater configuration

Reliable Operation and Long Service Life

- Robust welded steel construction for continuous industrial operation (24/7)
- Grinding chamber equipped with wear elements to protect the housing, easy to change

- Durable, optimised rotor design, dynamically balanced, operation in both directions of rotation
- Stainless steel design of rotor and housing possible

High Availability with Low Downtimes

- Quick and easy change of beaters
- Rotor with short run-down time < 6 min without brake
- Large hinged or sliding doors allow easy and quick access to the machine interior
- 2-part screen segments without frame, easy and quick to change segment by segment

High Safety of Personnel and Plant

- Standstill monitoring with door safety device

Technical Details

Type	NDK 4	NDK 5	NDK 7	NDK 9
Grinding chamber diameter (mm)	680	680	680	680
Screen width (mm)	400	520	760	1000
Grinding chamber area (m ²)	0.62	0.80	1.18	1.54
Dimensions and weight				
Length*/width/height (approx. mm) *depending on motor size	2010 x 1220 x 1195	2210 x 1220 x 1195	2610 x 1220 x 1195	3010 x 1220 x 1195
Weight without motor (approx. kg)	1350	1400	1550	1800
Drive				
Motor size (kW)	45 - 75	75 - 90	90 - 132	132 - 160
Speed 50 Hz/60 Hz (rpm)	3000/3600	3000/3600	3000/3600	3000/3600
Speed with frequency converter 34-60 Hz	1800 - 3600	1800 - 3600	1800 - 3600	1800 - 3600

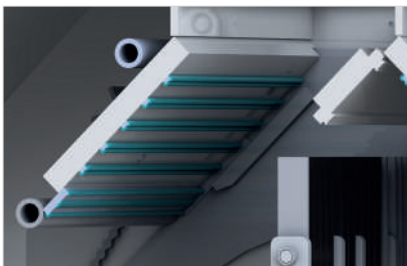
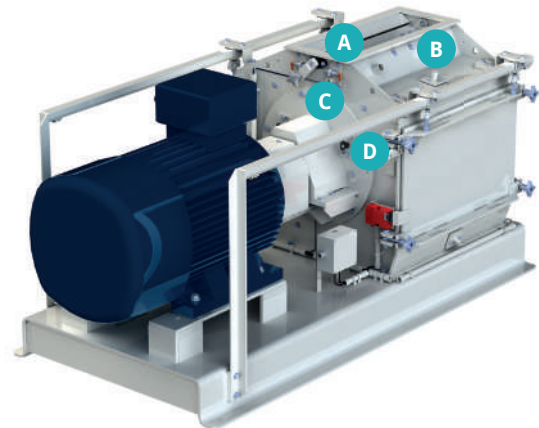
Standard Supply and Options

Standard Scope of Supply:

- Injection nozzles for liquid addition
- Automatic door locking with standstill monitoring
- Flexible cam coupling (N-EUPEX) with coupling guard
- Vibration dampers, height adjustable
- Manually operated inlet flap with position switch for changing the direction of rotation
- Sealing flange for the outlet
- Electrical components completely wired to terminal boxes
- Drive motor B3 with integrated PTC thermistor sensors
- 1 set of beaters, ready mounted
- 2 sets of screens, one of them mounted in the mill
- 1 set of special tools
- Multi-layer coating

Option:

- Bearing temperature monitoring
- Pneumatically operated inlet flap (automatic change of direction of rotation)



A Hardened impact plates



B Injection nozzles for liquids



C Pneumatically operated inlet flap (option)



D Bearing temperature monitoring